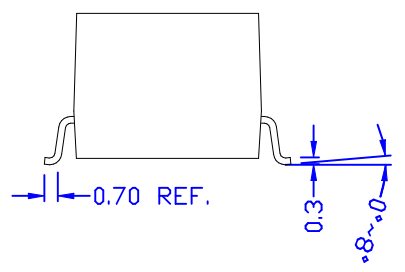
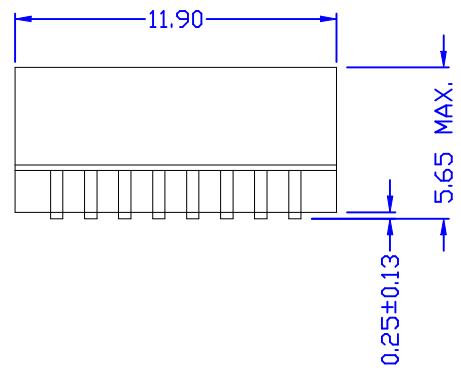
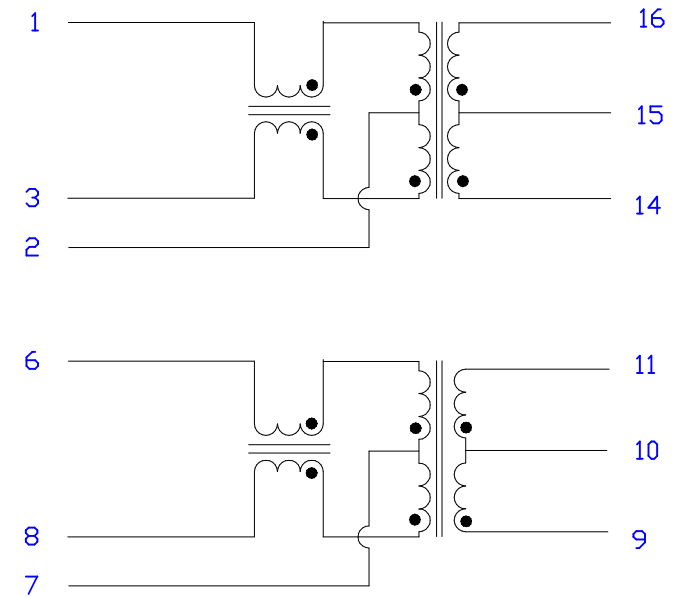


SUGGESTED PAD LAYOUT



ELECTRICAL CHARACTERISTICS :

1. TURNS RATIO RX/RX : 1CT:1CT ±3%.
2. OCL (@100KHZ/0.1V WITH 8mA/DC BIAS) :
PIN 1-3 = 6-8 = 350 uH MIN.
3. HI-POT : 1500 Vrms.
4. DCR : PIN 1-3 = 6-8 = 1.1 OHM MAX.
PIN 9-11 = 14-16 = 0.6 OHM MAX.
5. CROSS TALK : 30 MHz = -38 dB MIN.
62 MHz = -38 dB MIN.
100 MHz = -38 dB MIN.
6. INSERTION LOSS :
0.1~100MHz = -1.1 dB MAX.
7. RETURN LOSS : 30 MHz = -18 dB MIN.
60 MHz = -12 dB MIN.
100 MHz = -10 dB MIN.
8. CMRR : 30 MHz = -40 dB MIN.
50 MHz = -40 dB MIN.
100 MHz = -40 dB MIN.
9. RoHS COMPLIANC.

UNLESS OTHERWISE SPECIFIED ALL TOLERANCES ARE ±0.25

					Atech®		TITLE 10/100 BASE-TX TRANSFORMER	
					Atech Technology Co., Ltd.		DWG. NO.	
					TEL:022794-6667 FAX:022794-8004		ATPL-046R	
					UNITS:		SAFETY	
					DATE		SHEET 1 OF 1	
REVISIONS							DRAW	
NO.	DESCRIPTION	DATE	BY	CHK	APPD			